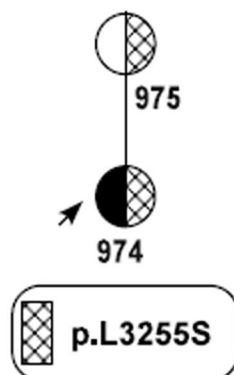
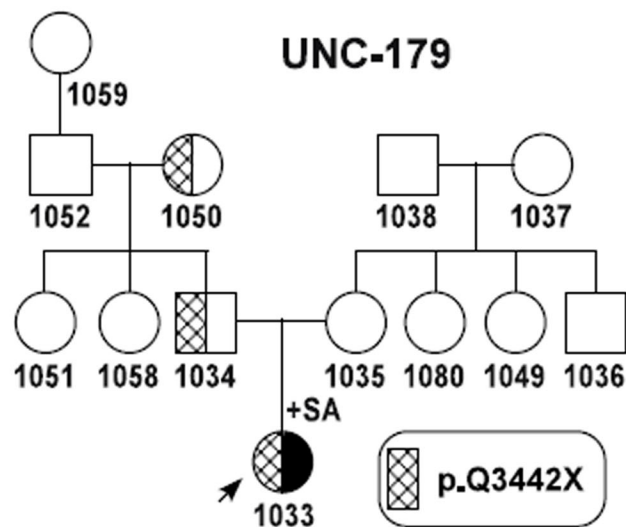
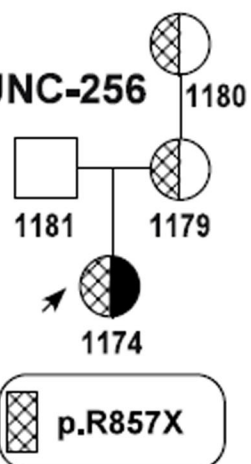
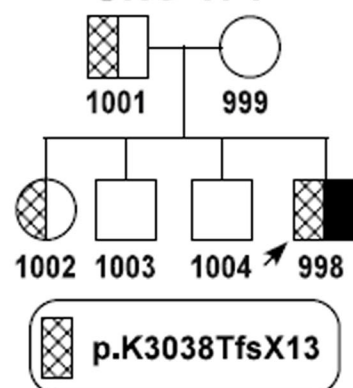


**UNC-162****UNC-179****UNC-256****UNC-174****Key:**

Male



Female



Proband



PCD Affected

Mutation  
Carrier

+SA Situs Ambiguus

# pertains to the subjects  
tested for the mutations